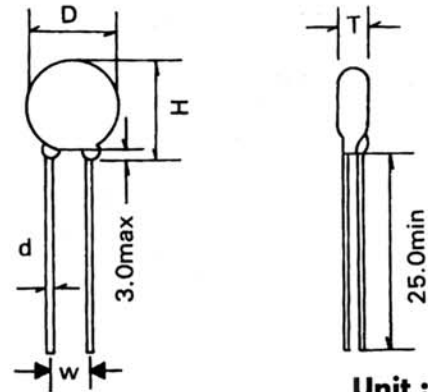


Dimension of Components for Standard Products

Dimension Table

Unit : mm

Series	Ø5	Ø7	Ø10	Ø14	Ø20
D max.	7.5	9.0	14.0	17.5	25.0
H max.	10.0	12.0	17.0	20.5	28.0
W (± 1.0)	5.0	5.0	7.5	7.5	10.0
d(± 0.02)	0.6	0.6	0.8	0.8	1.0



Unit : mm

T max. Table

Termination Part No.	Ø5	Ø7	Ø10	Ø14	Ø20
K011	3.3	3.5	3.9	4.0	4.3
K014	3.6	3.8	4.2	4.3	4.6
K017	3.8	4.0	4.4	4.5	4.8
K020	3.3	3.5	3.9	4.0	4.3
K025	3.5	3.7	4.1	4.2	4.5
K030	3.7	3.9	4.3	4.4	4.7
K035	4.0	4.2	4.6	4.7	5.0
K040	4.3	4.5	4.9	5.0	5.3
K050	3.3	3.5	3.9	4.0	4.3
K060	3.6	3.8	4.2	4.3	4.6
K075	3.8	4.0	4.4	4.5	4.8
K095	4.1	4.3	4.7	4.8	5.1
K115	3.2	3.4	3.8	3.9	4.2
K130	3.3	3.5	3.9	4.0	4.3
K140	3.4	3.6	4.0	4.1	4.4
K150	3.5	3.7	4.1	4.2	4.5
K175	3.7	3.9	4.2	4.3	4.6

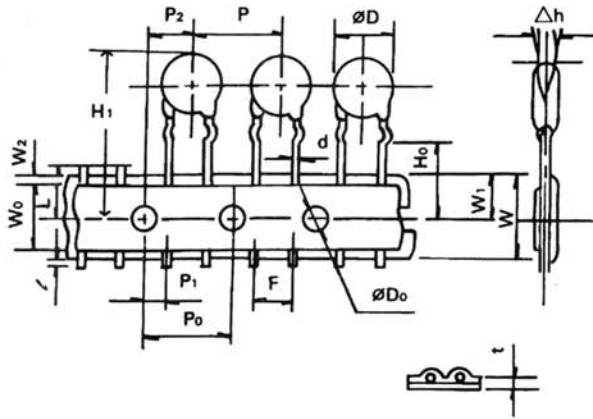
Termination Part No.	Ø5	Ø7	Ø10	Ø14	Ø20
K195	3.9	4.1	4.3	4.4	4.7
K210	4.0	4.2	4.5	4.6	4.9
K230	4.1	4.3	4.7	4.8	5.1
K250	4.2	4.4	4.8	4.9	5.2
K275	4.4	4.6	5.0	5.1	5.4
K300	4.6	4.8	5.2	5.3	5.6
K320	4.8	5.0	5.3	5.4	5.7
K350	5.0	5.2	5.5	5.6	5.9
K385	5.3	5.5	5.7	5.8	6.1
K420	5.4	5.6	5.8	5.9	6.2
K460	5.6	5.8	6.0	6.1	6.4
K485	5.8	6.0	6.3	6.4	6.7
K510	-	6.3	6.5	6.6	6.9
K550	-	-	6.6	6.7	7.0
K625	-	-	7.0	7.1	7.4
K680	-	-	7.4	7.5	7.9
K1000	-	-	-	11.5	11.9

Packaging Specifications

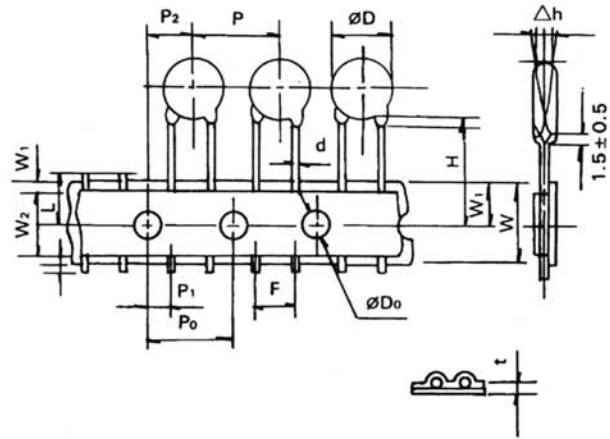
Part No.	Min. Q'ty(pcs)/Bags
J05K011 TO J05K250	1000
J05K275 TO J05K385	1000
J07K011 TO J07K250	1000
J07K275 TO J07K385	1000
J07K420 TO J07K510	1000
J10K011 TO J10K250	500
J10K275 TO J10K625	500
J14K011 TO J14K250	500
J14K275 TO J14K385	500
J14K420 TO J14K625	500
J20K011 TO J20K250	250
J20K275 TO J20K385	250
J20K420 TO J20K625	250

Tape and Reel Specifications

1. Crimped Leads



2. Straight Leads



Series	Parameter	Element Diameter			
		Ø5	Ø7	Ø10	Ø14
P	Pitch of Component	12.7±1.0	12.7±1.0	12.7±1.0	25.4±1.0
P ₀	Feed Hole Pitch	12.7±0.2	12.7±0.2	12.7±0.2	12.7±0.2
P ₁	Feed Hole Center to Lead	3.85±0.7	3.85±0.7	2.6±0.7	2.6±0.7
P ₂	Hole Center to Component Center	6.35±0.7	6.35±0.7	6.35±0.7	6.35±0.7
F	Lead to Lead Distance	5.0±0.8	5.0±0.8	7.50±0.8	7.50±0.8
Δh	Component Alignment	2.0 Max	2.0 Max	2.0 Max	2.0 Max
W	Tape Width	18.0+1.0	18.0+1.0	18.0+1.0	18.0+1.0
		18.0-0.5	18.0-0.5	18.0-0.5	18.0-0.5
W ₀	Hold Down Tape Width	16.0±0.3	16.0±0.3	16.0±0.3	16.0±0.3
W ₁	Hole Position	9.0+0.75	9.0+0.75	9.0+0.75	9.0+0.75
		9.0-0.50	9.0-0.50	9.0-0.50	9.0-0.50
W ₂	Hold Down Tape Position	0.5 Max	0.5 Max	0.5 Max	0.5 Max
H	Height from Tape Center to Component Base	18.0+2.0	18.0+2.0	18.0+2.0	18.0+2.0
		18.0-0.0	18.0-0.0	18.0-0.0	18.0-0.0
H ₀	Seating Plane Height	16.0±0.5	16.0±0.5	16.0±0.5	16.0±0.5
H ₁	Component Height	29.0 Max	32.0 Max	36.0 Max	40.0 Max
D ₀	Feed Hole Diameter	4.0±0.2	4.0±0.2	4.0±0.2	4.0±0.2
t	Total Tape Thickness	0.7±0.2	0.7±0.2	0.7±0.2	0.7±0.2
L	Length of Clipped Lead	11.0 Max	11.0 Max	11.0 Max	11.0 Max

Notes : Dimensions are in mm.

Order Information of Taped Reel

Standard Products	Tape Reel Straight Lead	Tape Reel Crimped Lead	Min. Q'ty
J05KXXX	J05K000TRS	J05K000TRK	2000/1500 pcs
J07KXXX	J07K000TRS	J07K000TRK	2000/1500 pcs
J10KXXX	J10K000TRS	J10K000TRK	1500/1000 pcs
J14KXXX	J14K000TRS	J14K000TRK	1000/800 pcs

Note :

1. "2000/1500" Packing in JXXK011 to JXXK175 are 2000 pcs, JXXK195 to JXXK300 with 1500 pcs.



Packaging Specifications

Dimensions are in mm	Flat box				Reel				
	Series	Ø5	Ø7	Ø10	Series	Ø5	Ø7	Ø10	Ø14
	A	55 max.			W	Approx. 45			55
	B	330 max.			D	360 max.			
C	340 max.			A	Approx. Ø30				
				B	Approx. Ø90				

Order Information of Flax Box

Standard Products	Tape Box Straight Lead	Tape Box Crimped Lead	Max. Q'ty
J05K□□□	J05K□□□BTS	J05K□□□BTK	2000/1500 pcs
J07K□□□	J07K□□□BTS	J07K□□□BTK	2000/1500 pcs
J10K□□□	J10K□□□BTS	J10K□□□BTK	1500/1000 pcs

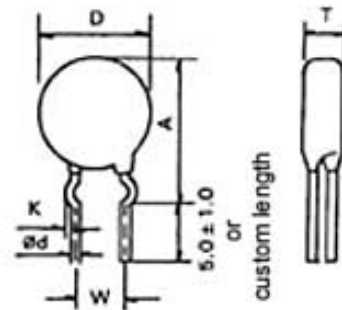
Note :

1. "2000/1500" Packing in J-□□K011 to J-□□K175 are 2000 pcs, J-□□K195 to J-□□K300 with 1500 pcs.

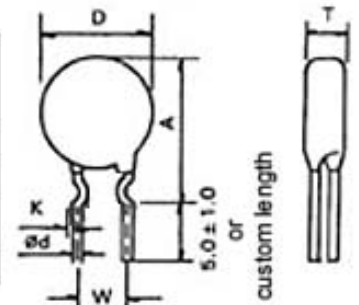
Symbol		Series	Ø5	Ø7	Ø10	Ø14
		A max.	11 to 175	13.0	15.0	19.5
Max. Allowable Voltage ACrms(V)	230 to 300	13.0	15.0	20.5	23.5	
D max.			7.5	9.0	14.0	17.5
K			1.2±0.4	1.2±0.4	1.4±0.4	1.4±0.4
W			5.0±1.0	5.0±1.0	7.5±1.0	7.5±1.0
Ød			0.6	0.6	0.8	0.8

T max see standard product specification table.

Outer Crimped Leads Type



Inner Crimped Leads Type



Order Information of Crimp Leads

Standard Products	Bulk, Straight Cut Leads	Bulk, Outer Crimped Cut Leads	Bulk Inner Crimped Cut Leads	Max. Q'ty
J05K□□□	J05K□□□ TTS	J05K□□□ TTK	J05K□□□ TTNK	1K pcs
J07K□□□	J07K□□□ TTS	J07K□□□ TTK	J07K□□□ TTNK	1K pcs
J10K□□□	J10K□□□ TTS	J10K□□□ TTK	J10K□□□ TTNK	1K pcs
J14K□□□	J14K□□□ TTS	J14K□□□ TTK	J14K□□□ TTNK	1K pcs